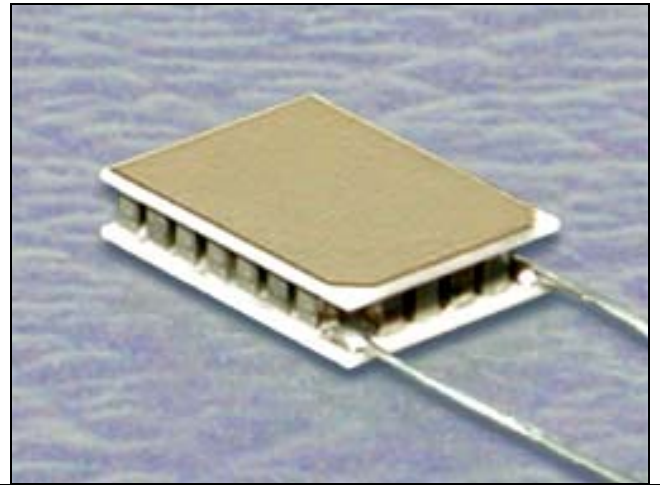




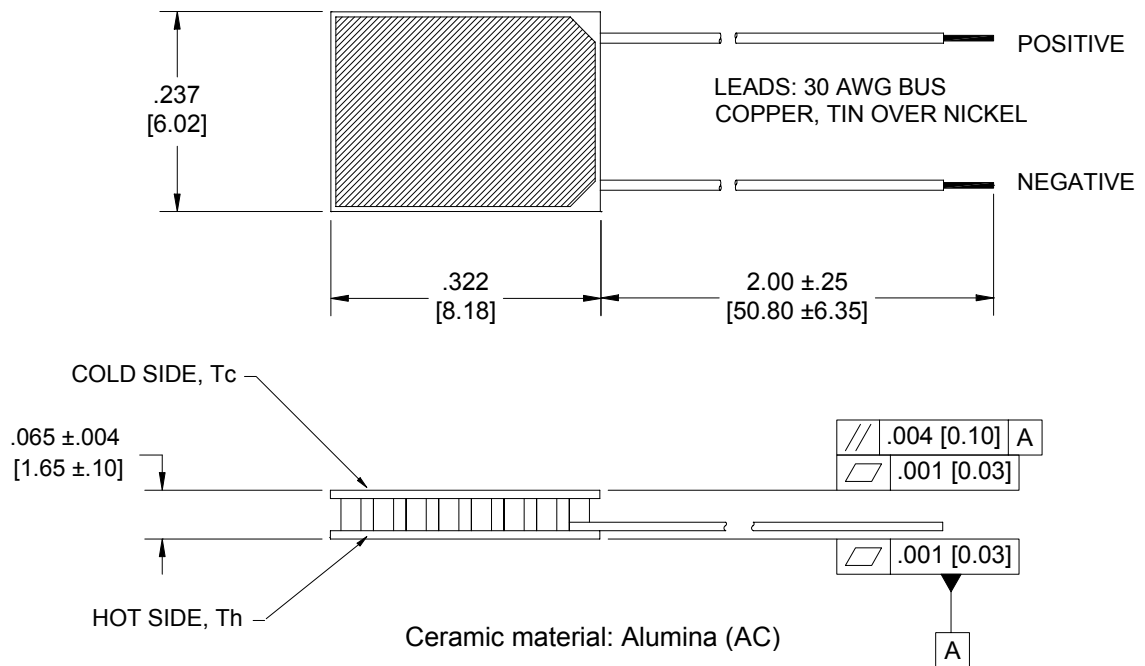
Thermoelectric Cooler SP5255

Performance Values

Hot Side Temperature (°C)	27°C	85°C
ΔT_{max} (°C-dry N ₂):	69	89
Q _{max} (watts):	3.5	4.1
I _{max} (amps):	1.9	1.8
V _{max} (vdc):	2.70	3.40
AC Resistance (ohms):	1.20	---



Mechanical Characteristics



Ordering Options

Model Number	Description
SP5255-13ACM	TEHP Assembly, Metallized Exterior, Gold Flash
SP5255-14ACM	TEHP Assembly, Gold Flash, Wire Slewing
SP5255-15ACM	TEHP Assembly, 138°C/183° Tinning

Features

- Contact Marlow Engineering Representative

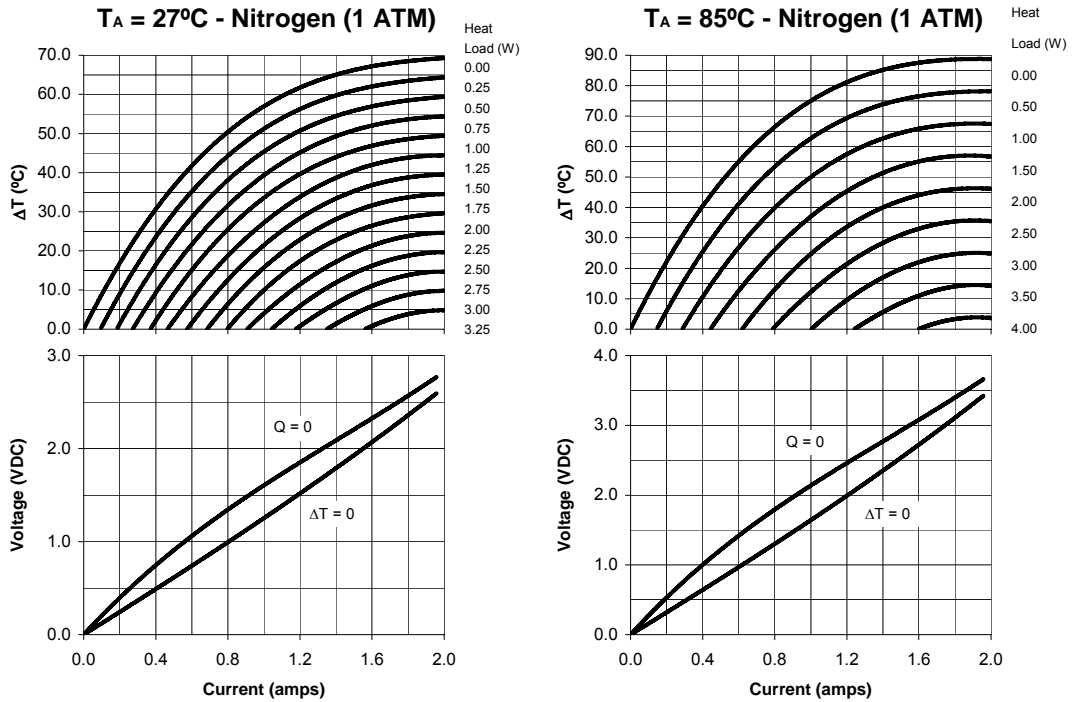
Available Modifications

- For information regarding additional ordering options available, please contact a Marlow engineering representative.



Performance Curves

Environment: One atmosphere dry nitrogen



For performance information in a vacuum or with hot side temperatures other than 27°C or 85°C, consult one of our Applications Engineers.

Installation

Recommended mounting methods: Bonding with thermal epoxy or soldering with metallized ceramics. For additional information, please refer to our TEC Installation Guide.

Operation Cautions

For maximum reliability, storage and operation below 85°C in a non-condensing environment is recommended. To minimize thermal stress, use linear/proportional temperature control or a similar method rather than an ON/OFF method.

Addresses

Marlow Industries, Inc.
10451 Vista Park Road
Dallas Texas 75238-1645
214-340-4900 (tel)
214-341-5212 (fax)

Marlow Industries Europe
Aberdeen House, South Road
Haywards Heath
West Sussex RH164NG UK
+44 (0)1444-443404 (tel)
+44 (0)1444-443334(fax)

II-VI Japan Inc.
WBG Marive East 17F
2-6 Nakase, Mihama-ku
Chiba-Shi, Chiba 261-7117
Japan
81 43 297 2693 (tel)
81 43 297 3003 (fax)
center@ii-vi.co.jp
www.ii-vi.co.jp

II-VI Singapore Pte., Ltd.
Blk. 5012, Techplace II
#04-07 & 05-07/12, Ang Mo Kio Ave. 5
Singapore 569876
(65) 6481 8215 (tel)
(65) 6481 8702 (fax)
info@ii-vi.com.sg
www.ii-vi.com.sg

Marlow Industries China, II-VI Technologies Beijing
A subsidiary of II-VI Incorporated
Rm 202, 1# Lize 2nd Middle Road
Wangjing, Chaoyang District
Beijing 100102 China
64391260 ext 105 (tel)
64399315 (fax)
info@iivbj.com